

1 2 3 4 5 6 7 8

A

A

B

B

C

C

D

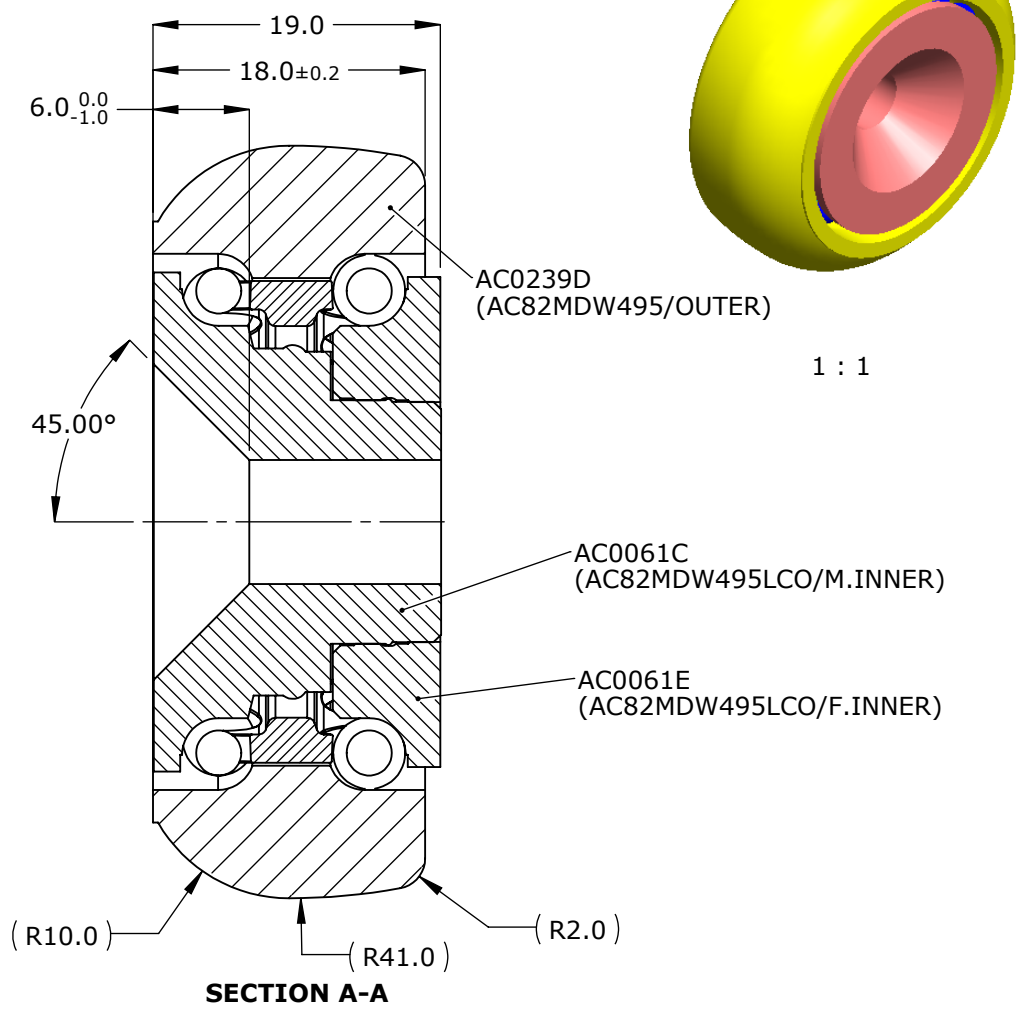
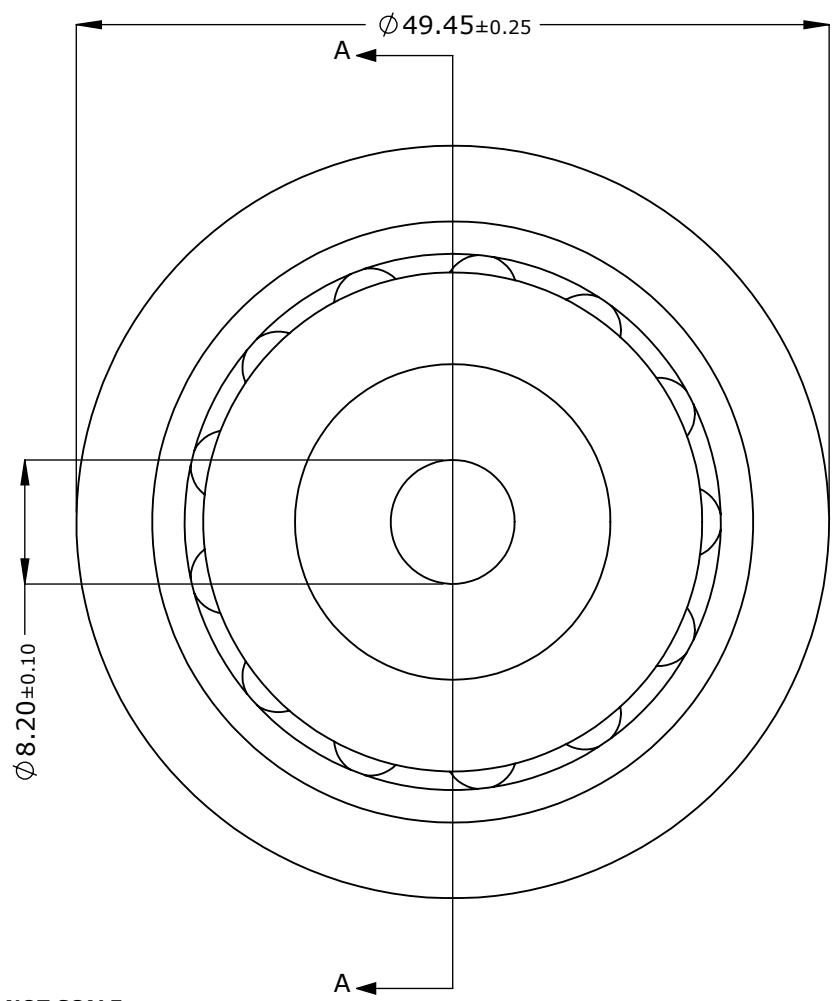
D

E

E

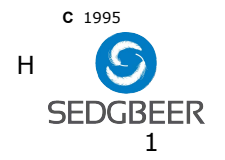
F

F



**DO NOT SCALE**  
 Tolerances in mm  
 x.x ±0.25  
 x.xx ±0.13  
 x.xxx ±0.05  
 All Dimensions in mm  
 unless otherwise stated  
 Angular Tolerance ±1°

**COLOUR: DARK BLUE MM2 7B808**



|     |                         |        |     |     |                 |          |                   |
|-----|-------------------------|--------|-----|-----|-----------------|----------|-------------------|
| D   | OD CHG FROM 49.76-49.45 | R 1749 | PRM | TH  | 05.09.18        | MATERIAL | ACETAL            |
| C   | CAGE REF WAS ....W      | R1685  | PB  | PB  | 19.04.17        | COLOUR:  | SEE NOTE          |
| B   | CAGE REF. REVISED       | R1679  | PB  | PB  | 01.03.17        | BALLS:   | 26 x 3/16 SS420   |
| A   | INITIAL FROM AC0239AE   | C1093  | AA  | GL  | 11.12.14        | CAGE:    | 1 x CA6-30-26DR/A |
| REV | DESCRIPTION             | ECN    | BY  | CHK | DATE (dd.mm.yy) | D.C:     | 0.15/0.3          |

TITLE: DIA 49.45 O.D. POULTRY WHEEL  
 ITEM / CAD REF: AC82MDW495-2X-D  
 GREASE: NONE  
 SCALE: 2:1 SHEET 1 OF 1 A4  
 ASSY DRG

DESIGN CODE: AC82MDW495/2X/D  
 1) Dimensions enclosed in brackets ( ) are REF and for information purposes only & do not control manufacturing or inspection processes  
 2) Numbers encircled are for Roadmap information (00)  
 3) Undimensioned features controlled by model

1 2 3 4 5 6 7 8

H

H